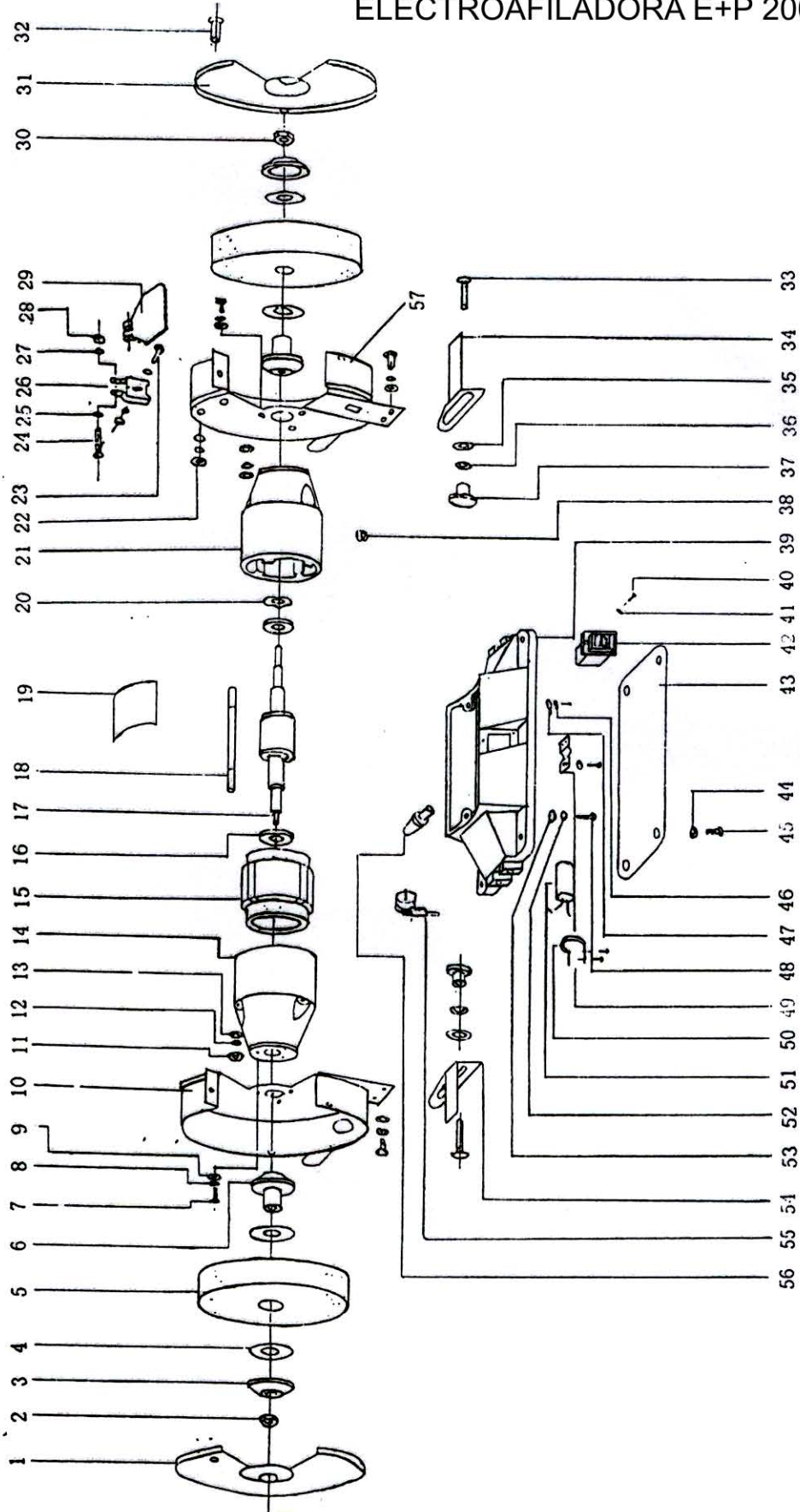


ELECTROAFILADORA E+P 200 M



Lista de Recambios ELECTROAFILADORA E+P 200 M

- | | |
|----------------------|-----------------------|
| 1.Left Inner cover | 34.Right Tool Rest |
| 2.Wheel Lock Nut | 35.washer |
| 3.Wheel flang | 36.washer |
| 4.Nameplate of wheel | 37.knob Nut |
| 5.Wheel | 38.cable protector |
| 6.Wheel flang | 39.Base |
| 7.Bolt | 40.Bolt |
| 8.washer | 41.washer |
| 9.screw | 42.switch |
| 10.Left Inner cover | 43.Base plate |
| 11.Screw | 44.washer |
| 12.Washer | 45.Bolt |
| 13. screw | 46.washer |
| 14.End cover | 47.Ground Terminal |
| 15.Winding | 48.Bolt |
| 16.Bearing | 49.Cord Bushing Plate |
| 17.Axis | 50.Capacitor Clip |
| 18.Bolt | 51.Capacitor |
| 19.Label | 52.washer |
| 20.waved spring | 53.washer |
| 21.End cover | 54.Left Tool Rest |
| 22.screw | 55.plug & cord |
| 23.Bolt | 56.cable Adaptor |
| 24.Bolt | 57.Right Inner cover |
| 25.washer | |
| 26.Eyeshild Bracket | |
| 27.washer | |
| 28.screw | |
| 29.Eyeshild | |
| 30.wheel Lock Nut | |
| 31.Right outer cover | |
| 32.Bolt | |
| 33.Bolt | |